



# LEDGEMATE

LET US HOLD THAT

## PRODUCT SPEC SHEET



### Product Details:

LedgeMate® is an antibacterial shelf and drink holder for public washrooms, changing rooms and anywhere there is under-utilised space.

It has marketing capabilities and can be used to improve hand hygiene compliance and awareness or selling advertising space to reach a captive audience.

An additional branding sticker is located at the top of the product.

### Installation:

LedgeMate® is fixed to the wall using the following fixings supplied with the product:

- Double Countersunk Multipurpose Screws 4.5 x 50mm – QTY 3
- Rawlplug Plastic Plugs 6mm x 35mm - QTY 3

Card template for install provided with each order  
Install Recommendation: 6mm Masonry Drill Bit

The key overall measurements are:

- Height: 234mm
- Width: 151mm
- Depth: 135mm
- Weight: 450g

### Product Materials:

Main body - 20% glass-filled ABS

Advertising panel - 20% glass-filled ABS

Acrylic sheet - Acrylic

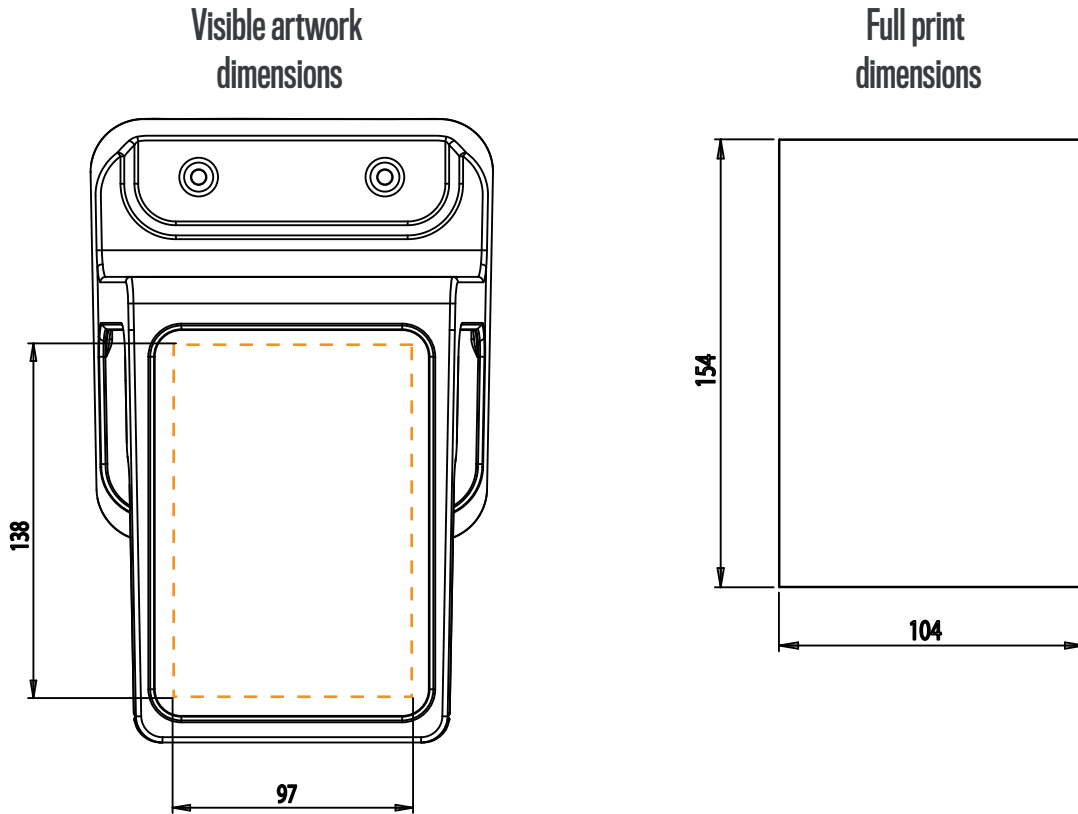
Grip pad- TPE with an antimicrobial additive

LedgeKey - 3D printed ABS

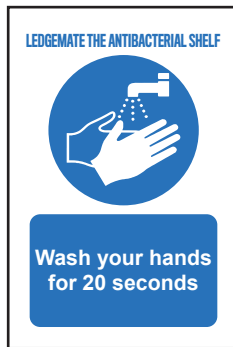


Manufactured to ISO 9001 standards

# Marketing space dimensions



Along with the units customers can also purchase the 6 hygiene compliance options shown below. All of which are printed on waterproof and tearproof paper. Bespoke designs can also be produced upon request.

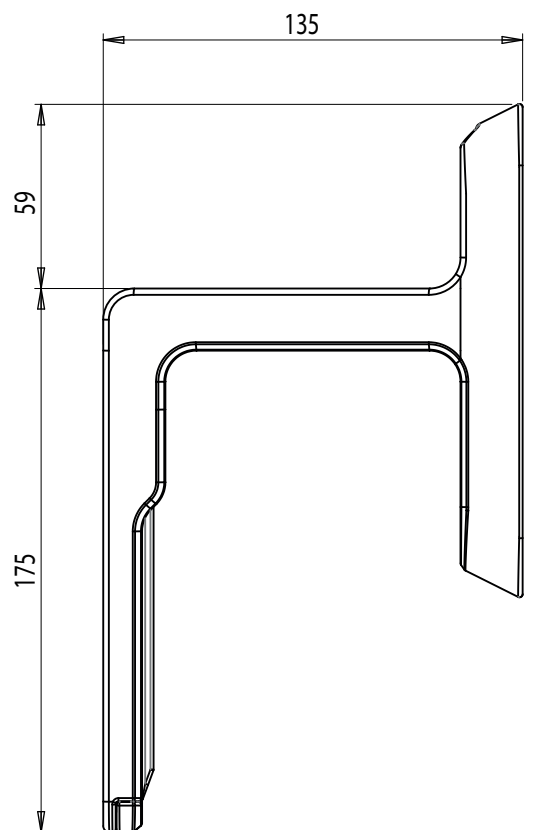
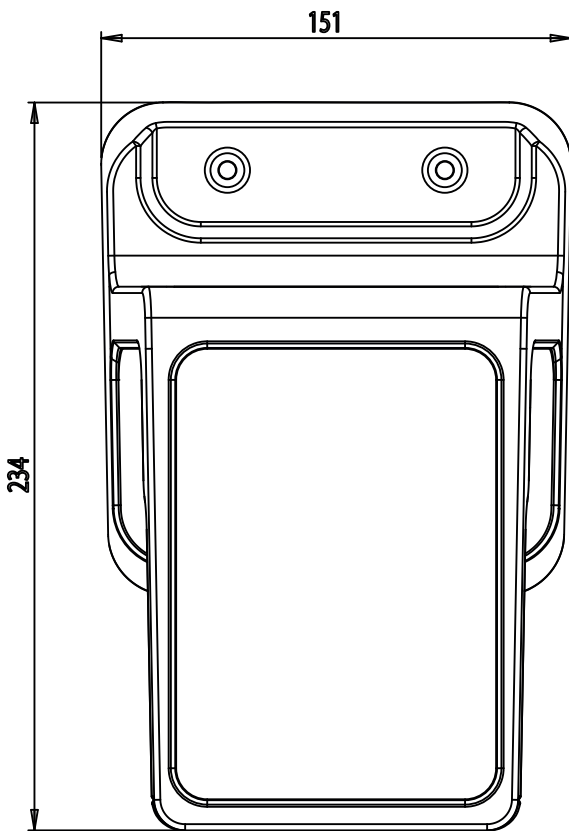
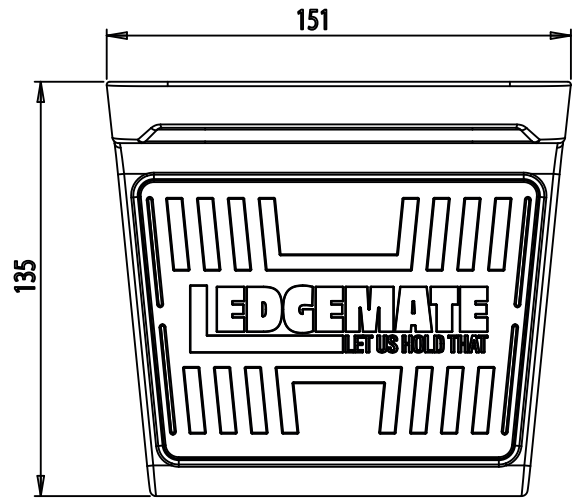
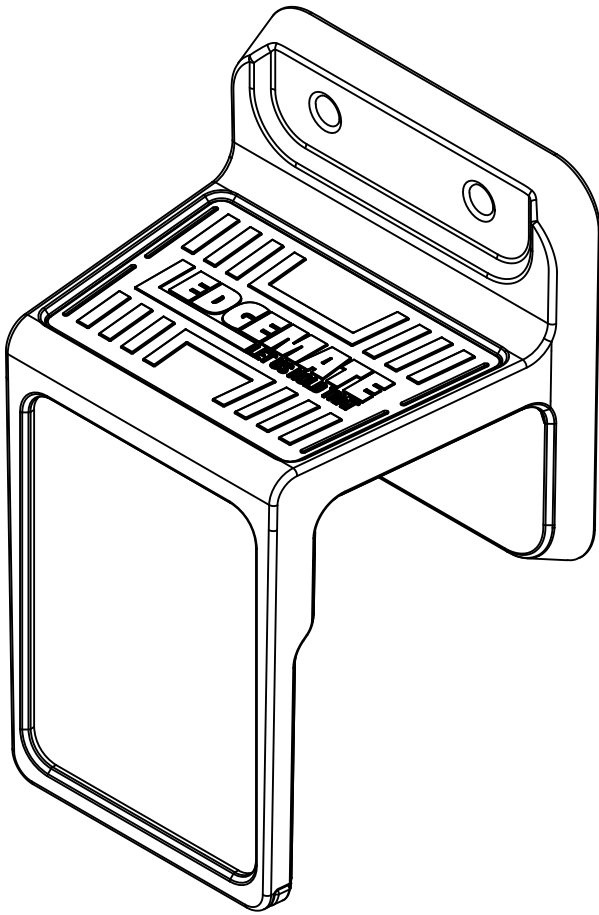


## Branding Sticker

The branding sticker shown below is supplied with each unit unless specified otherwise. Bespoke 3D resin dome stickers can also be produced upon request.

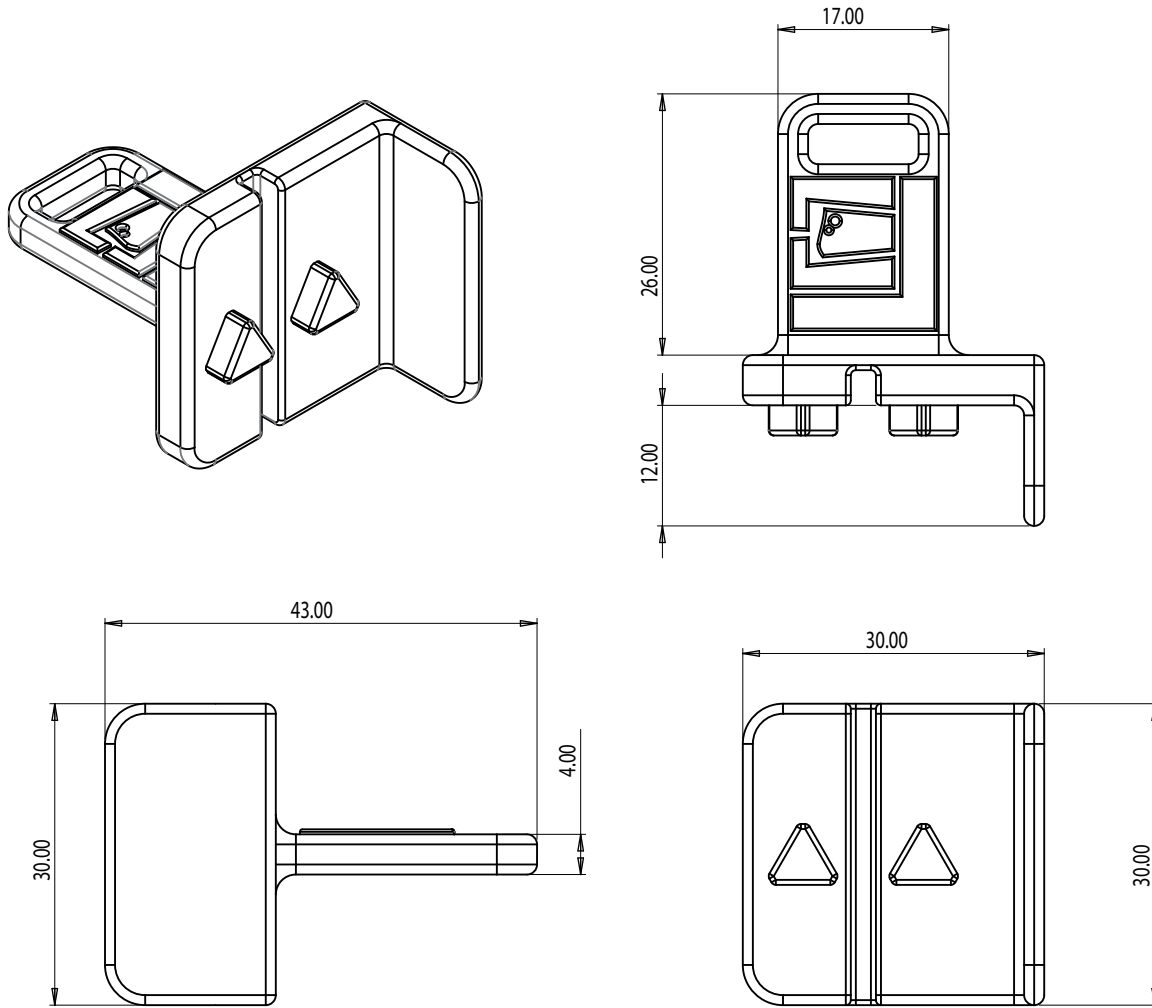


# Technical drawings



# LedgeKey dimensions

The Advert window includes a slide out panel to allow the owner to change adverts or marketing material. This panel is accessed by inserting the LedgeKey to release the push fit buttons.



The LedgeKey is used as shown below.

